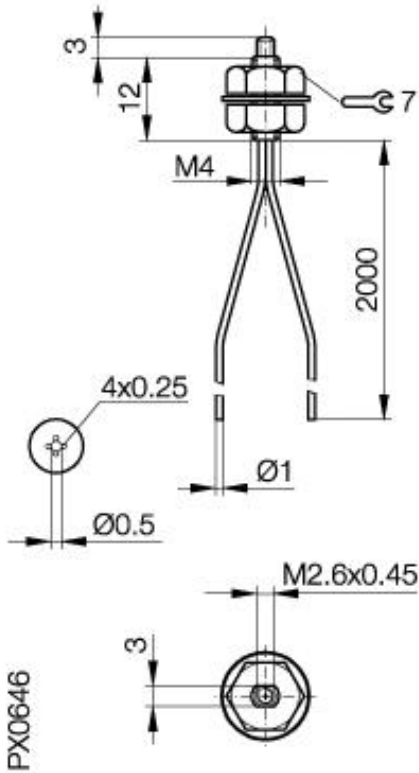


Accessories: Fiberoptic BFO 74A-XB-KB-PZK-10-02



Common Data

Version	Fiber optic straight
Usable with	with BOS 15K..., BOS 20K..., BOS 74K..
Ambient temperature	-35°C...+65°C
Sensing range	15mm

Mechanical Data

Measurements WxHxD or Dia x D	M4 x 15
Material	brass, PVC, PMMA, stainless steel
Mounting	with thread M4
Diameter of glass fiber bundle	1x0,5 + 4x0,25
Max. pull force on cable	6
Least bending radius	15

Remarks

operating distance refers to Kodak gray card 90% and BOS 74K-UU-1FR-BO-Z

Datasheet number::

Definitions see general catalog.
If not otherwise noted, ratings according to IEC 60947-5-2 (DIN EN60947-5-2)

Balluff GmbH
Schurwaldstrasse 9
73765 Neuhausen a.d.F.
Phone (07158) 173-0 Fax (07158) 5010

Datenblatt by CD-ROM - 04/2007

BALLUFF
sensors worldwide